

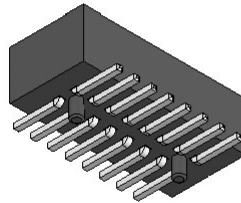
Box Header 1.0 mm

90° & 180° & SMT Series

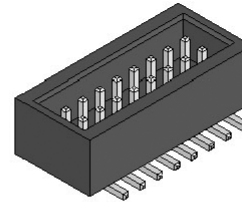
SPECIFICATIONS

- Current Rating: 0.8 A
- Insulator Resistance: 900 MOhm min.
- Dielectric Withstanding: AC 500 V
- Operating Temperature: -40°C ~ +105°C
- Soldering Temperature: 260°C for 3~5sec. max
- Contact Material: Copper Alloy
- Insulator Material: Polyester, UL 94V-0
- Standard: Nylon-6T
- Standard: Gold Flash all over
- Note: Duplex Plating: Gold Plated on contact area, Tin on solder area

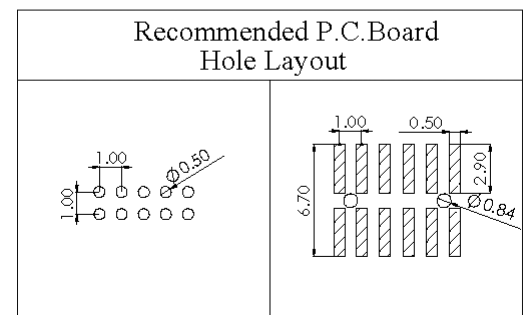
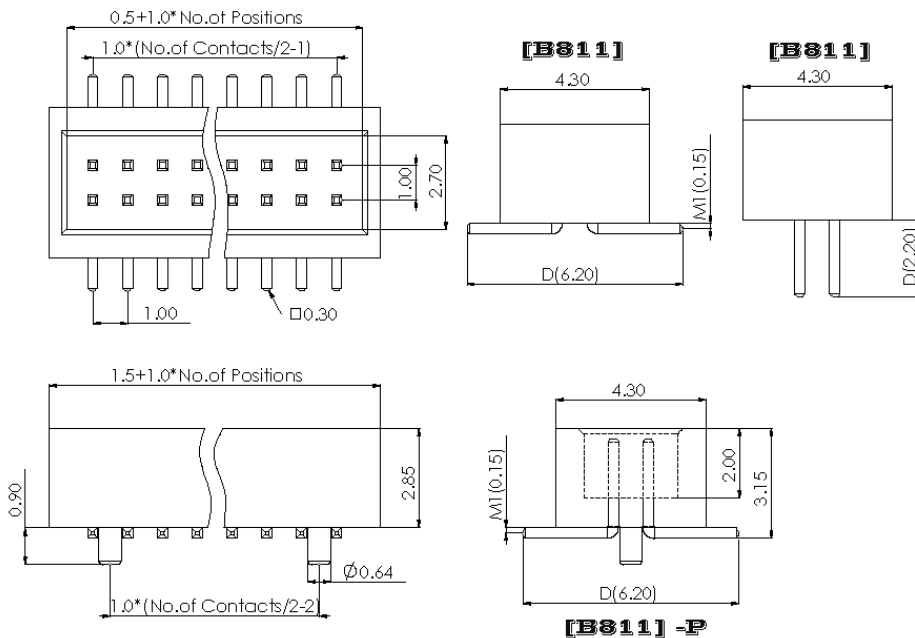
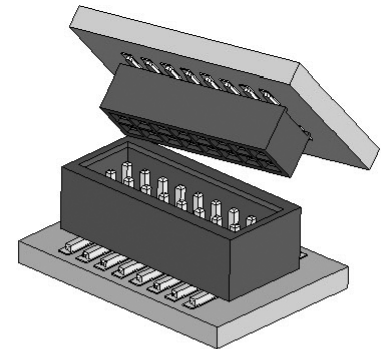
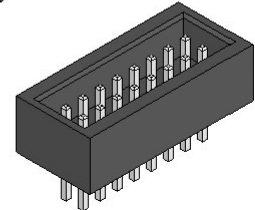
B811-M1GN-D062-XX-P



B811-M1GN-D062-XX



B811-SGN-D022-XX



How to order

Unit: mm

Series	Connector Type	Contact Plating	Material	Pin Length mm	Number of Contacts	Other
BXXX	- X	X	X -	DXXX	- XX	- P
B811: B/H 1.00 H: 2.85 Dual Row	S: Straight Type M: SMT Type M1: 0.15 M2: 0.20 M3: 0.23 :	G: Gold Flash T: Tin Plated A: 10U" Gold B: 15U" Gold C: 20U" Gold © Duplex Plating D: Gold Flash/Tin (Standard: G)	N: Nylon-6T	S-D D020 M-D D062	(08 TO 120 Contacts)	P: PEG